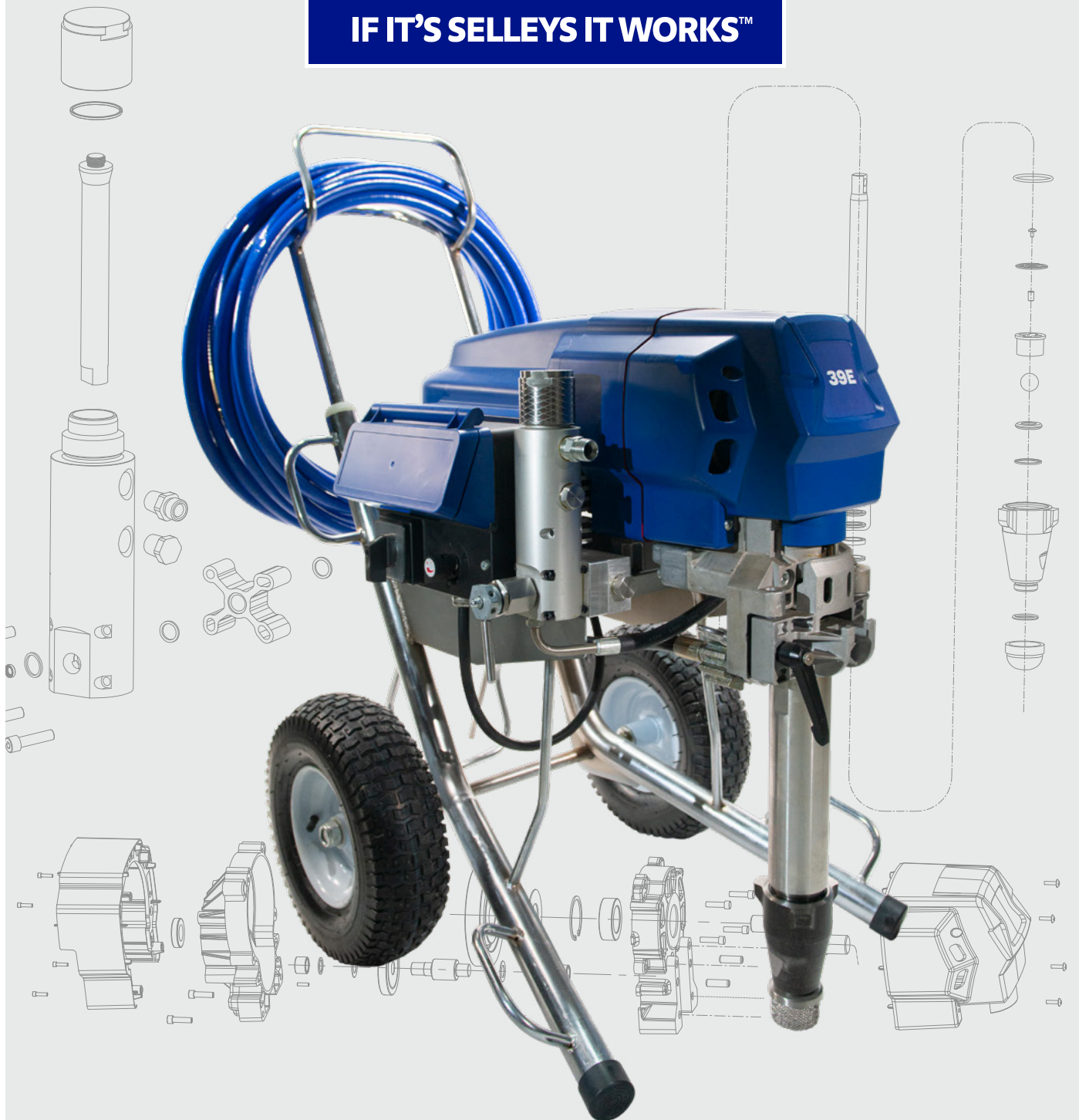


**SELLEYS®**

**IF IT'S SELLEYS IT WORKS™**



**SELLEYS S39E AIRLESS SPRAYPACK**

**OPERATING MANUAL**

## CONTENTS

- 1. SAFETY INFORMATION**
  - 1.1 General Safety Precautions
  - 1.2 Specific Safety Hazards and Precautions
  - 1.3 Earthing Instructions
  
- 2. COATINGS**
  - 2.1 Suitable Coatings
  - 2.2 Preparation of Coating Materials
  - 2.3 Viscosity
  - 2.4 2-component Coating Materials
  - 2.5 Coatings Containing Abrasive Materials
  
- 3. EQUIPMENT**
  - 3.1 Technical Data
  - 3.2 Main Components
  
- 4. OPERATING INSTRUCTIONS**
  - 4.1 Setup
  - 4.2 Startup
  - 4.3 Pressure Relief Procedure
  - 4.4 Installation of Spray Tip
  - 4.5 Clearing Spray Tip Clogs
  - 4.6 Before Spraying the Coating Material
  - 4.7 Method of Spraying
  - 4.8 Handling the High-Pressure Hose
  - 4.9 In Case of Interrupted Operation
  
- 5. CLEANING AND MAINTENANCE**
  - 5.1 Cleaning and Shutting Down
  - 5.2 Cleaning the Airless Spray Gun
  - 5.3 Disassembly of the Gun Filter
  - 5.4 Assembly of the Gun Filter
  
- 6. MALFUNCTIONS**
  - 6.1 Corrective Measures for Common Malfunctions
  - 6.2 Error Codes
  
- 7. PARTS AND ASSEMBLY**

# 1. SAFETY INFORMATION

Please read the following important information carefully.

The following symbols indicate specific types of safety hazards.



Indicates a potential hazard that may cause **serious injury to the operator or loss of life.**



Indicates a potential hazard that may cause **minor injury to the operator or to the equipment.**



Indicates **important information.**



## WARNING

This unit is capable of extremely high spraying pressures that can cause serious and/or minor injury by injection and extensive damage to property.



## IMPORTANT

All replacement parts and accessories should **ONLY** be purchased from SELLEYS or an authorised distributor of SELLEYS equipment. Servicing should **ONLY** be carried out by SELLEYS or an authorised distributor of SELLEYS equipment. If these conditions are not met, the operator assumes all liability for injury and property damage arising from the use of this unit.

## 1.1 GENERAL SAFETY PRECAUTIONS

### ✗ NEVER

- use the spray gun without the safety guard in place
- operate faulty units or use faulty accessories
- attempt to repair a damaged hose
- leave this equipment unattended
- move the unit when it is running
- spray outside on windy days

### ✓ ALWAYS

- ensure that this unit is properly earthed
- ensure that the power cord, air hose and spray hoses are optimally routed to minimise slip, trip and fall hazards
- immediately and thoroughly clean up all material and solvent spills to prevent slip hazards
- follow the material manufacturer's instructions for safe handling of coating materials
- unplug the cord from the outlet before cleaning, maintaining or repairing this unit
- keep the power cord plug in sight during use to prevent accidental shutdowns and startups
- wear ear protection to protect against possible hearing loss from the noise produced by this unit, which can exceed 85 dB(A)
- keep this unit out of reach of children, unqualified adults and animals
- comply with local codes regarding ventilation, fire prevention, and operation

## 1.2 SPECIFIC SAFETY HAZARDS AND PRECAUTIONS

### SAFETY PRECAUTIONS TO PREVENT INJECTION INJURY



#### WARNING

Serious risk of injection injury. This equipment produces a high-pressure stream that can pierce the skin and subcutaneous tissues, resulting in severe injury and even possible amputation.



#### IMPORTANT

The maximum operating range of the unit is 230 bar (3300 PSI) fluid pressure.

### ✗ NEVER

- put your fingers, hands or any other parts of your body into the spray jet
- point the spray gun at yourself or anyone else (including animals)
- allow the fluid stream to come into contact with any part of your body
- allow any leak in the fluid hose to come into contact with any part of your body
- put your hand in front of the gun

**NOTE:** Gloves do not provide full protection against injection injury.

- use a spray gun without both a working trigger lock and trigger guard in place

### ✓ ALWAYS

- ensure that the gun trigger is locked, the fluid pump is shut off, and all pressure is released before servicing, cleaning the nozzle holder, changing spray tip, or leaving the unit unattended

**NOTE:** Turning off the engine will not release the pressure. The PRIME/SPRAY valve or pressure bleed valve must be turned to their appropriate positions to relieve system pressure.

- ensure that the nozzle holder remains in place during spraying
- remove the spray tip before flushing or cleaning the system
- carefully check the paint hose for leaks before each use, as even small leaks can cause injection injury
- ensure that all accessories, including but not limited to spray tips, guns, extensions and hose, are rated at or above the maximum operating pressure range of the sprayer



#### IMPORTANT MEDICAL INFORMATION

Injection injury is a traumatic injury that requires immediate medical attention. Any laceration of the skin, no matter how minor it seems, should not be treated as a simple cut. Fully inform the medical team about the coatings or solvents involved, as some coatings are toxic when injected directly into the bloodstream. For serious injuries, a plastic surgeon or reconstructive hand surgeon should be consulted.

## SAFETY PRECAUTIONS TO PREVENT EXPLOSIONS AND FIRE



### WARNING

This equipment produces a high-pressure stream that can pierce the skin and subcutaneous tissues, resulting in severe injury and even possible amputation.

### ✗ NEVER

- use plastic drop cloths or enclose the spray area with plastic sheets, as plastic can cause static sparks
- smoke in the spray area
- use any materials with a flashpoint lower than 21 °C (70 °F)

**NOTE:** Flashpoint is the temperature at which a fluid can produce sufficient vapours to ignite.

### ✓ ALWAYS

- ensure that the spray area is well-ventilated to prevent the build-up of flammable vapours
- avoid all ignition sources such as static electricity sparks, electrical appliances, flames, pilot lights, hot objects, and sparks from connecting and disconnecting power cords and/or working light switches
- flush the unit into a separate metal container, at the lowest possible pump pressure and with the spray tip removed
- hold the gun firmly against the side of the container to prevent static sparks
- have a fire extinguisher nearby
- place the sprayer at a minimum of 6.1 metres (20 feet) from the surface to be sprayed, extending the hose if necessary. Since flammable vapours are often heavier than air, the floor area must be well ventilated. The pump contains arcing parts that emit sparks, which can ignite vapours.
- ensure that the equipment and objects in and around the spray area are properly grounded to prevent static sparks
- ensure that you are using a conductive or earthed high pressure hose
- ensure that the gun is earthed through the hose connection
- ensure that the power cord is connected to a grounded circuit
- ensure that the unit is connected to an earthed object such as a water pipe, steel beam, or other electrically earthed surface, via the green earthing wire
- strictly follow the material and solvent manufacturer's warnings and instructions, and read the coating material's MSDS (Material Safety Data Sheet) and technical information before use

## SAFETY PRECAUTIONS TO PREVENT EXPLOSIONS DUE TO INCOMPATIBLE MATERIALS



### WARNING

Serious risk of explosions due to incompatible materials. Accidental explosions due to incompatible materials can cause serious injury and/or extensive damage to property.

### ✗ NEVER

- use materials that contain bleach or chlorine
- use halogenated hydrocarbon solvents such as methylene chloride and 1,1,1-trichloroethane

**NOTE:** These substances are not compatible with aluminium and may cause an explosion. If you are in any doubt over a material's compatibility with aluminium, check with your coating supplier.

## SAFETY PRECAUTIONS TO PREVENT HARM FROM TOXIC VAPOURS



### WARNING

Vapours from paints, solvents, insecticides, and other materials can be harmful in the event of inhalation or contact with any part of the body. Symptoms include severe nausea, fainting and poisoning.

### ✓ ALWAYS

- use a respirator or mask
- wear protective eyewear
- wear protective clothing

## SAFETY PRECAUTIONS TO PREVENT HARM FROM MOVING PARTS



### WARNING

Moving parts can pinch, cut or amputate fingers and other body parts. Furthermore, equipment can start without warning.

#### ✓ ALWAYS

- keep clear of moving parts
- follow the **Pressure Relief Procedure** and disconnect all power sources before checking, moving or servicing the equipment

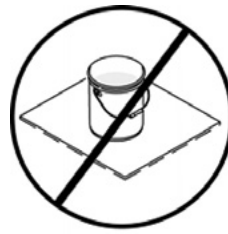
#### ✗ NEVER

- operate equipment with protective guards or covers removed

## 1.3 EARTHING INSTRUCTIONS

#### ✗ NEVER

- operate this unit unless you are sure that it has been properly earthed
- modify the earthing plug
- use an adapter with this equipment
- place pail on non-conductive materials, which will isolate pail from ground

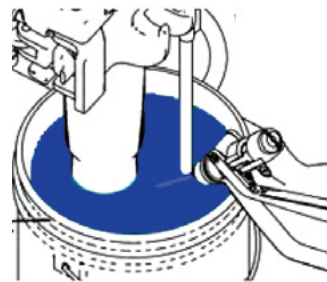


#### ✓ ALWAYS

- ensure that the earthing plug is plugged into an outlet that has been properly installed and earthed in accordance with local codes
- seek the advice of a qualified electrician if you need a new outlet installed to fit the earthing plug, do not fully understand these earthing instructions, or are unsure as to whether this unit is properly earthed
- use grounded metal pails for solvent- and oil-based fluids
- connect the ground wire from the metal pail to a true earth ground such as a water pipe



- hold spray gun against grounded metal pail when flushing or relieving pressure to maintain ground



- if required, use 1.5 mm<sup>2</sup> grounded extension cords, measuring a maximum of 30 m in length
- use 3/8 x 50 ft (minimum), non-wire braid hose
- place pail on grounded surface such as concrete



### WARNING

Incorrect installation of the earthing plug can result in electric shock. If you need to repair or replace the cord or plug, do not connect the green earthing wire to either blade terminal.



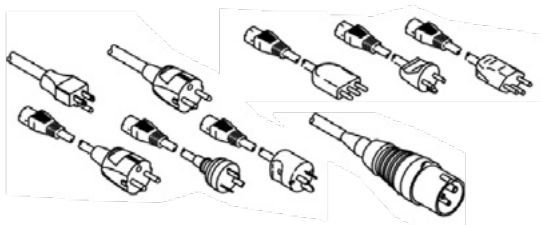
## IMPORTANT

The wire with insulation, which has a green outer surface with or without yellow stripes, is the earthing wire. It must be connected to the earthing pin.

Use of an undersized cord causes a drop in line voltage, loss of power and overheating.

A list of the materials used in the construction of this unit is available upon request for the purpose of determining compatibility with coating materials.

**NOTE:** All sprayer cords include a ground wire to reduce the risk of static and electric shock.



## 2. COATINGS

Please read the following important information carefully.

### 2.1 SUITABLE COATINGS

This unit is suitable for the application of:

- dilutable lacquers and paints
- coatings containing solvents
- 2-component coating materials
- dispersions
- latex paints

Do not spray coatings other than those listed above without the prior approval of SELLEYS or the authorised distributor of this unit.

### 2.2 PREPARATION OF COATING MATERIALS

Always filter and stir the coating material before application. To prevent downtime, make sure that no air bubbles are introduced, especially when stirring the coating material with motor-driven agitators.

### 2.3 VISCOSITY

This unit is able to process highly viscous coating materials of up to around 20,000 mPa-s.

Highly viscous coating materials can be diluted according to the manufacturer's instructions.

### 2.4 2-COMPONENT COATING MATERIALS

When preparing two-component coating materials for spraying, follow the manufacturer's instructions and do not skimp on the mixing/processing time. While the components are processing, thoroughly rinse and clean the unit with suitable cleaning agents.

### 2.5 COATINGS CONTAINING ABRASIVE MATERIALS

Coatings that contain sharp-edged aggregates and additional materials cause intense wear and tear on this unit's parts, including its valves, high-pressure hose, spray gun and spray tip.

Use of abrasive coatings may shorten the working life of this unit.

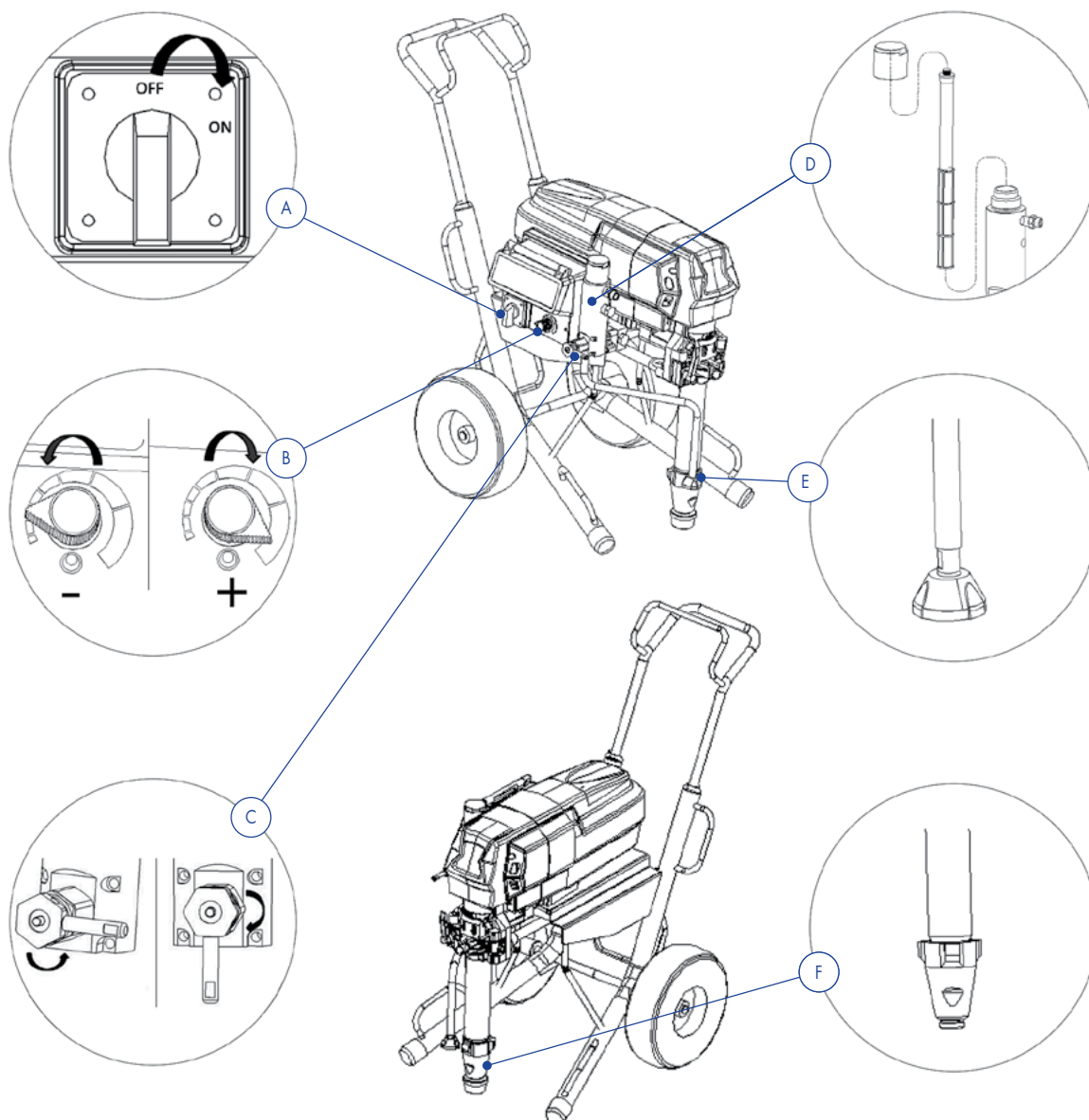
## 3. EQUIPMENT

Please read the following important information carefully.

### 3.1 TECHNICAL DATA

Motor output	4.3 kW
Flow rate	8.3 L/min
Max. nozzle size	0.043"
Max. operating pressure	230 bar
Weight	80 kg

### 3.2 MAIN COMPONENTS



#### NO. PRODUCT NAME

- A ON/OFF switch
- B Pressure control knob
- C Relief valve

#### NO. PRODUCT NAME

- D Fluid outlet
- E Return hose
- F Suction Tube



## 4. OPERATING INSTRUCTIONS

Please read the following important information carefully.

### 4.1 SETUP

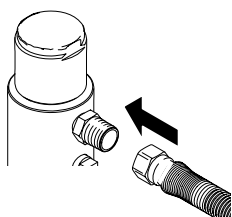


#### WARNING

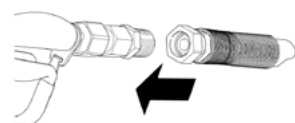
Serious risk of explosions due to incompatible materials. Accidental explosions due to incompatible materials can cause serious injury and/or extensive damage to property.

1. Connect 15 m (50 ft) airless hose to sprayer and tighten securely

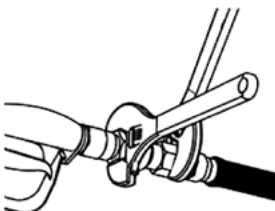
**NOTE:** Remove adapter fitting for 13 mm (1/2 in.) hose.



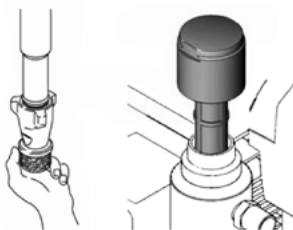
2. Install airless hose to the fluid inlet of the spray gun



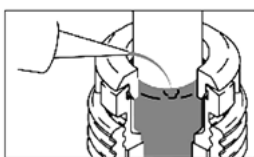
3. Tighten securely



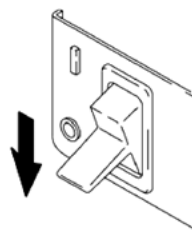
4. Remove inlet strainer and suction filter when spraying plaster materials



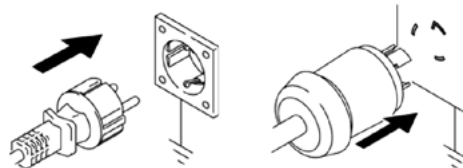
5. Fill throat packing nuts with separating oil to prevent premature packing wear. Do this each time you spray.



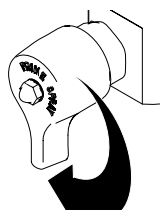
6. Turn power OFF



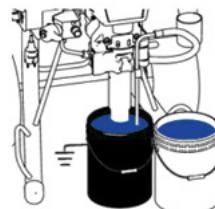
7. Plug power supply cord into a properly grounded electrical outlet



8. Turn the relief valve to "PRIME" position



9. Place suction tube into a metal pail partially filled with residual water. Attach ground wire to pail and to true earth ground (see **Earthing Instructions**). Perform steps 1 – 5 of **Startup** to flush out storage oil shipped in sprayer. Use water to flush water-based paint and appropriate solvent to flush oil-based paint and storage oil.



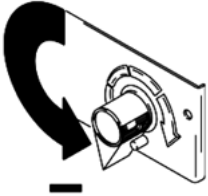
## 4.2 STARTUP



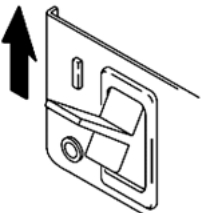
### WARNING

Serious risk of explosions due to incompatible materials. Accidental explosions due to incompatible materials can cause serious injury and/or extensive damage to property.

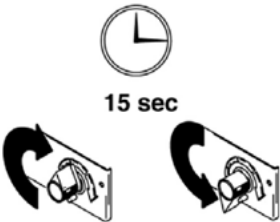
1. Turn pressure control knob to "minimum"



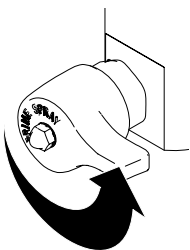
2. Turn power ON



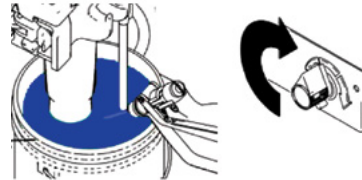
3. Increase pressure to start motor and allow fluid to circulate through return hose for 15 seconds. Decrease pressure control knob to "minimum".



4. Turn relief valve to "SPRAY" position

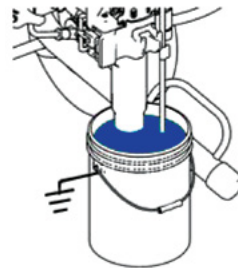


5. Trigger the spray gun, whilst increasing the pressure control knob, if necessary

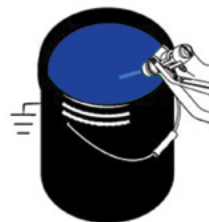


6. Inspect for leaks. If leaks occur, perform **Pressure Relief Procedure**. Tighten fittings. **Perform Startup** steps 1 - 5. If no leaks, proceed to step 6.

7. Place suction tube into the container of material



8. Trigger gun again into flushing pail until paint appears. Move gun to paint pail and trigger for 20 seconds. Set gun safety ON. Assemble spray tip and nozzle holder.



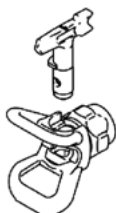
## 4.3 PRESSURE RELIEF PROCEDURE

Follow these steps carefully.

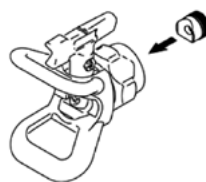
1. Immerse the suction tube and return hose in a container, filled with a suitable cleaning agent
2. Turn the pressure control knob counter-clockwise to minimum pressure
3. Turn the relief valve and set to "PRIME" position
4. Wait until the cleaning agent discharges from the return hose
5. Turn the relief valve and set to "SPRAY" position
6. Pull the trigger of the spray gun
7. Spray the cleaning agent from the unit into a container

## 4.4 INSTALLATION OF SPRAY TIP

1. Insert spray tip into nozzle holder (arrow points forward)



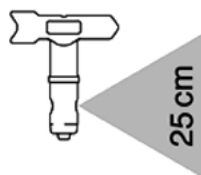
2. Insert nozzle seal (curved side in) into housing



3. Install assembled spray tip and nozzle holder in spray gun



4. Install appropriate spray tip for your material



## 4.5 CLEARING SPRAY TIP CLOGS



### WARNING

Serious risk of explosions due to incompatible materials. Accidental explosions due to incompatible materials can cause serious injury and/or extensive damage to property.

1. Release trigger, put safety ON. Rotate Spray Tip. Take safety OFF. Trigger gun to clear clog. Never point gun at your hand or into a rag!



2. Put safety ON. Return Spray Tip to original position. Take safety OFF and continue spraying.



## 4.6 BEFORE SPRAYING THE COATING MATERIAL

Follow these steps carefully.

1. Turn the pressure control knob counter-clockwise to minimum pressure
2. Turn the relief valve and set to "PRIME" position
3. Switch the unit ON
4. Wait until the coating material discharges from the return hose
5. Turn the relief valve and set to "SPRAY" position
6. Trigger the spray gun and spray into a container until the coating material exits the spray gun continuously
7. Increase the pressure by slowly turning the pressure control knob clockwise
8. Check the spray pattern and increase the pressure until the desired atomisation is attained
9. The unit is ready to spray

## 4.7 METHOD OF SPRAYING



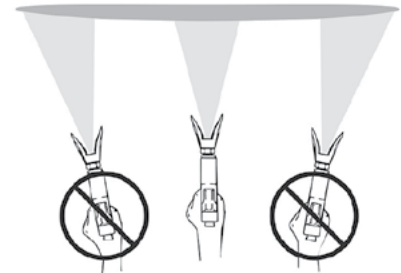
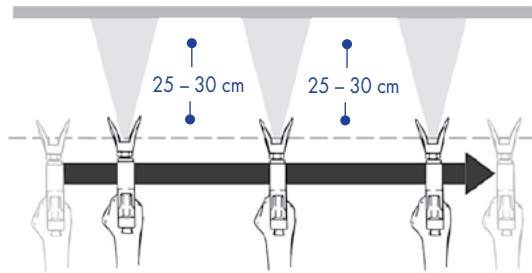
### WARNING

Never trigger the gun unless the spray tip is completely turned to either the spray or the unclog position. Always engage the gun trigger lock before removing, replacing or cleaning the spray tip.

Follow these steps carefully.

1. Ensure that the nozzle holder is in place
2. Trigger the gun AFTER starting the stroke
3. To ensure even application:

- keep your arm moving at a constant speed
- keep the spray gun perpendicular to the surface
- keep the spray gun at a constant distance of 25 to 30 cm from the surface
- overlap each stroke by about 30%



4. Release the gun BEFORE ending the stroke

**NOTE:** Gloves do not provide full protection against injection injury.



### IMPORTANT

If very sharp edges or streaks appear on the coated surface, increase the operating pressure or dilute the coating material.

## 4.8 HANDLING THE HIGH-PRESSURE HOSE

Avoid sharp bending or kinking of the high-pressure hose. The smallest bending radius amounts to about 20 cm.

Do not drive over the high-pressure hose, and avoid contact with sharp objects and edges.



### WARNING

Defective high-pressure hoses can leak and cause serious injection injury. Replace defective high-pressure hoses immediately. Never attempt to repair a defective high-pressure hose.

## 4.9 IN CASE OF INTERRUPTED OPERATION

Follow these steps carefully.

1. Turn the relief valve and set to "PRIME" position
2. Switch the unit OFF
3. Turn the pressure control knob counter-clockwise to minimum pressure
4. Pull the trigger of the spray gun in order to release the pressure from the high-pressure hose and spray gun
5. Secure the spray gun
6. Leave the suction tube (or the suction hose and return hose) immersed in the coating material, or in a cleaning agent



### IMPORTANT

If a fast-drying or two-component coating material is used, ensure that the unit is rinsed with a suitable cleaning agent within the processing time.

## 5. CLEANING AND MAINTENANCE

Please read the following important information carefully.

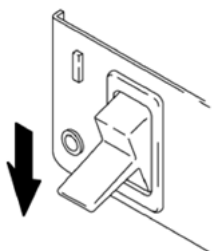
### 5.1 CLEANING AND SHUTTING DOWN



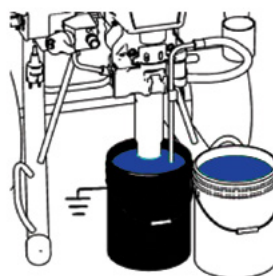
#### WARNING

Serious risk of explosions due to incompatible materials. Accidental explosions due to incompatible materials can cause serious injury and/or extensive damage to property.

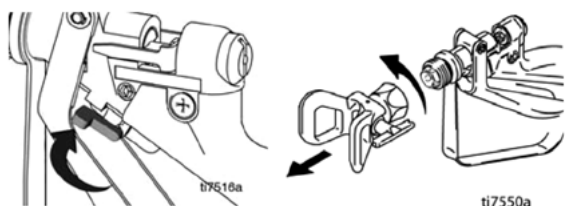
**A.** Turn power OFF. Wait 30 seconds for power to dissipate.



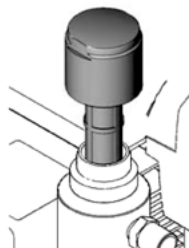
**1.** Do Steps A - D first. Remove suction tube from paint and place in flushing fluid.



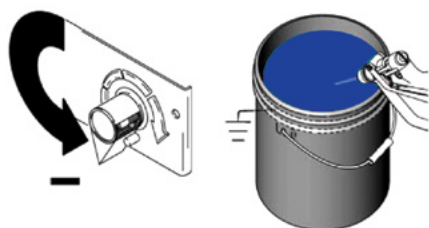
**B.** Lock gun trigger safety. Remove nozzle holder and spray tip.



**2.** Unscrew the filter cap, and clean the strainer filter

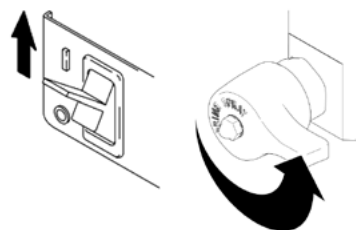


**C.** Turn the pressure control knob to "minimum", and trigger the gun to release pressure

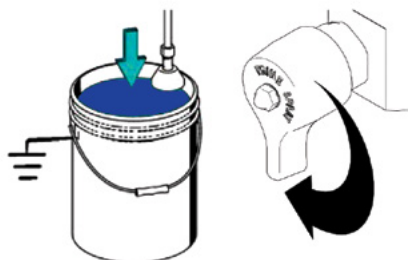


**3.** Switch power ON, and turn the relief valve to "SPRAY" position

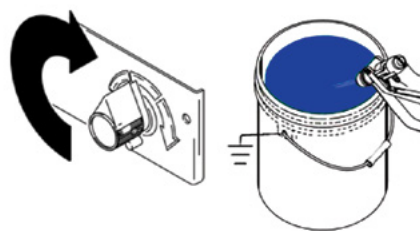
**NOTE:** Use water for water-based material and appropriate solvent for oil-based material.



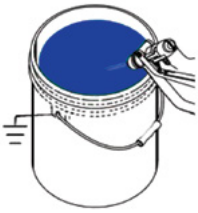
**D.** Put the return hose in a container and turn the relief valve to "PRIME" position



**4.** Increase pressure slowly. Hold gun against the paint container. Unlock the trigger, and flush the gun until the flushing fluid appears.



5. Move gun to waste pail, hold gun against pail, trigger gun to thoroughly flush system. Release trigger and put trigger safety ON.



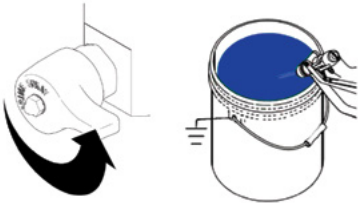
6. Turn the relief valve to "PRIME" position and allow the flushing fluid to circulate and clean the return hose



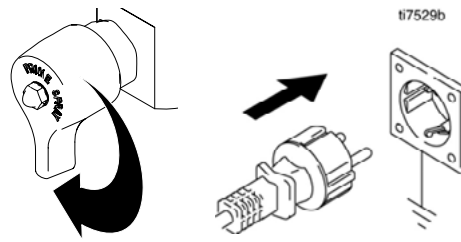
7. Remove the suction tube and allow the unit to run and drain the flushing fluid



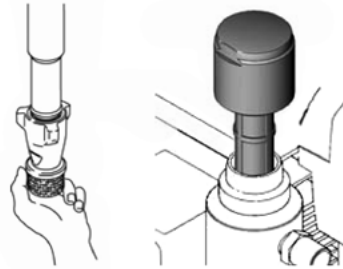
8. Turn the relief valve to "SPRAY" position. Trigger the gun into the flushing pail. Switch OFF power.



9. Turn the relief valve to "PRIME" position, and ensure the pressure control knob is set to "minimum". Unplug the unit from the power source.



10. Remove filters from gun and sprayer, if installed. Clean and inspect. Install filters.



11. If flushing with water, flush again with mineral spirits, or a suitable product, to leave a protective coating to prevent freezing or corrosion



12. Wipe sprayer, hose and gun with a rag soaked in water or mineral spirits



### IMPORTANT

The container must be earthed in case of coating materials that contain solvents.

## 5.2 CLEANING THE AIRLESS SPRAY GUN

Follow these steps carefully.

1. Rinse the airless spray gun with a sufficient amount of a suitable cleaning agent
2. Thoroughly clean the spray tip with a sufficient amount of a suitable cleaning agent until all unused coating material has been removed
3. Thoroughly clean the outside of the airless spray gun

## 5.3 DISASSEMBLY OF THE GUN FILTER

Follow these steps carefully.

1. Pull the protective guard (Figure 1.1) forward with moderate force
2. Unscrew the grip (1.2) from the gun housing and remove the gun filter (1.3)



### IMPORTANT

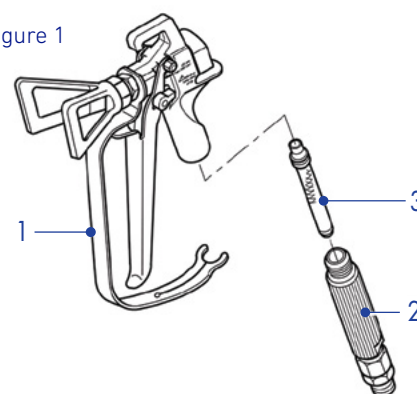
Replace the gun filter if it is clogged or faulty.

## 5.4 ASSEMBLY OF THE GUN FILTER

Follow these steps carefully.

1. Place the gun filter (Figure 1.3) with the long cone pointing up into the gun housing
2. Screw the grip (1.2) into the gun housing and tighten
3. Slot in the protective guard (1.1)

Figure 1



## 6. MALFUNCTIONS

Refer to the chart below for instructions on how to correct common malfunctions.

### 6.1 CORRECTIVE MEASURES FOR COMMON MALFUNCTIONS

TYPE OF MALFUNCTION	POSSIBLE CAUSES	CORRECTIVE MEASURES
A. Motor works but pump does not work. There is no error code displayed.	1. Connecting rod is worn or damaged	1. Replace the connecting rod
B. The motor does not start. Error code E-XX is displayed.	1. Piston rod is stuck due to dry paint 2. Connecting rod/piston rod is damaged and/or stuck	1. Replace worn or damaged parts
C. The motor does not start. There is no error code displayed.	1. Gun/nozzle is clogged 2. Pressure setting is too low 3. Filter is clogged 4. High pressure hose is clogged	1. Clean the gun/nozzle 2. Turn the pressure control knob clockwise to increase the pressure 3. Clean the filter 4. Clean or replace the high pressure hose
D. Pump output is low	1. Pressure setting is too low 2. Filter is clogged 3. Piston rod/suction valve ball is not in place 4. Pump packing is worn or damaged 5. Gun/nozzle is clogged 6. High pressure hose is clogged or its diameter is too small	1. Turn the pressure control knob clockwise to increase the pressure 2. Clean the filter 3. Clean or replace the ball or seat 4. Replace the packing set 5. Clean the gun/nozzle 6. Clean or replace the high pressure hose with one of a sufficient diameter
E. Paint residue in the pump body lock nut	1. Lock nut has loosened 2. Upper packing is worn or damaged 3. Piston rod is worn or damaged	1. Remove the nut, clean it and re-install it 2. Replace the upper packing 3. Replace the piston rod
F. Paint is discharged intermittently	1. Air is present in the pump body, filter assembly or high pressure hose 2. Nozzle is partially clogged 3. Insufficient supply of paint	1. Ensure that the connecting pipe is firmly connected and continue to trigger the spray gun until air is discharged 2. Clean the nozzle 3. Add more paint to the paint pail
G. Pump works but paint is not being discharged	1. Air intake valve is leaking 2. Pump seal(s) are worn 3. Paint is too thick	1. Turn the return valve to the return position until the return pipe has material flowing out continuously 2. Check to determine if the sealing ring in the intake valve is worn or damaged, and the intake valve is loose. If so, replace the seal(s) and lock the intake valve. 3. Thin the paint according to the manufacturer's instructions
H. Sprayer works but display is blank	1. Display has a loose connection of fault	1. Check and tighten the connections, and replace the display if necessary

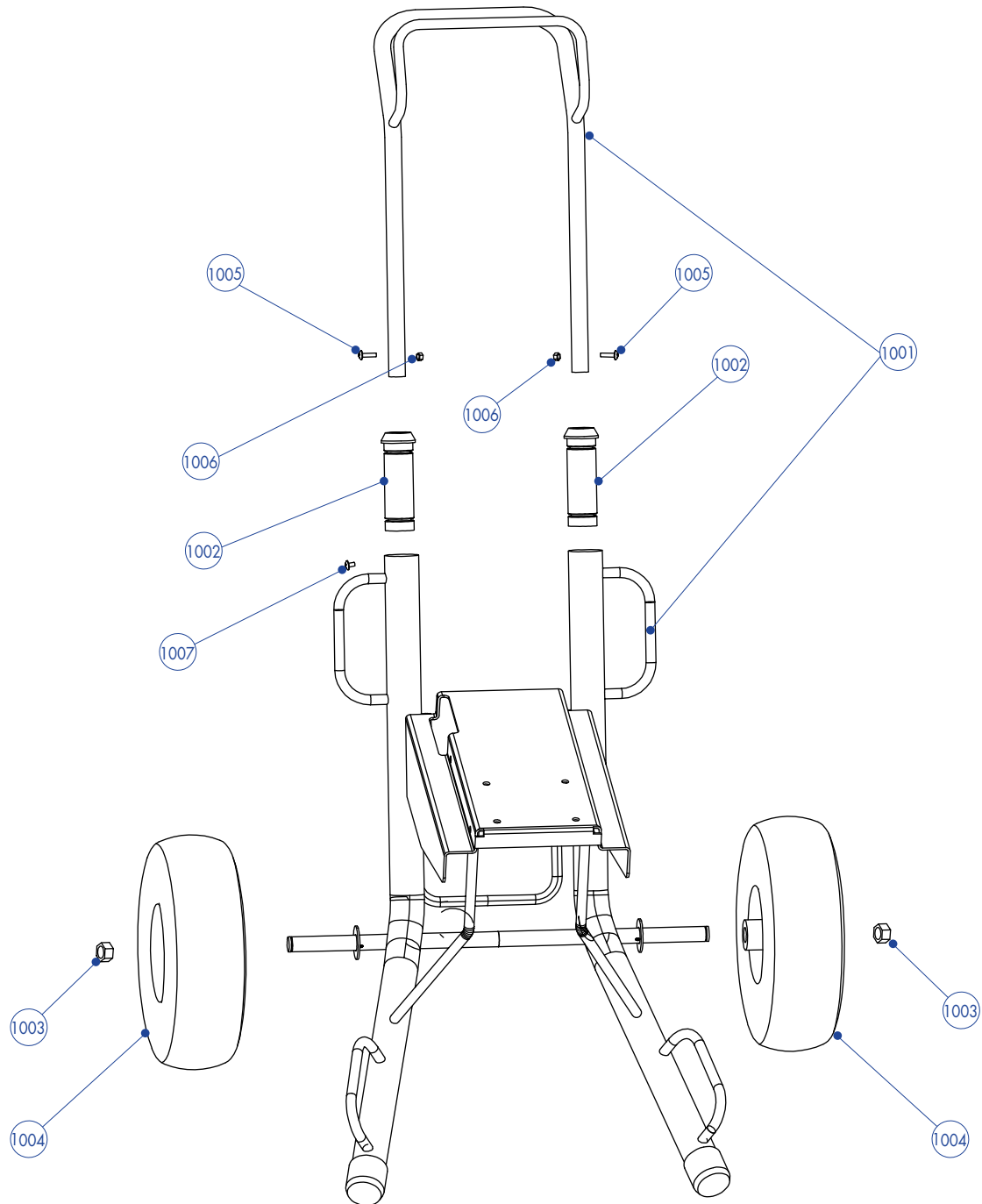


## 6.2 ERROR CODES

ERROR CODE	ERROR DESCRIPTION	CONDITIONS	MAINTENANCE ADVICE
ERR_1	Hardware overcurrent protection	Hardware overcurrent circuit signal is detected	<ol style="list-style-type: none"> <li>1. Switch power OFF and ON</li> <li>2. Replace circuit board</li> <li>3. Replace electric motor</li> </ol>
ERR_2	Software detects that the motor current is high	The software detects the motor current is high	<ol style="list-style-type: none"> <li>1. Switch power OFF and ON</li> <li>2. Replace circuit board</li> <li>3. Replace electric motor</li> </ol>
ERR_3	Bus-bar voltage is high	The input voltage is high	<ol style="list-style-type: none"> <li>1. Check that input voltage is not more than 260VAC</li> <li>2. Replace circuit board</li> </ol>
ERR_4	Bus-bar voltage is low	The input voltage is low	<ol style="list-style-type: none"> <li>1. This feature is temporarily disabled</li> </ol>
ERR_5	Abnormal motor hall	The three halls of the motor appear at high level or low level	<ol style="list-style-type: none"> <li>1. Check that the hall terminal is tightly fitted into the circuit board</li> <li>2. Replace circuit board</li> <li>3. Replace electric motor</li> </ol>
ERR_9	Chip memory error alarm	An error occurred while data is stored in the chip	<ol style="list-style-type: none"> <li>1. Replace circuit board</li> </ol>
ERR_10	Motor current amplifier error	The internal operational amplifier circuit is abnormal when the motor is not running	<ol style="list-style-type: none"> <li>1. Replace circuit board</li> </ol>
ERR_11	High pressure error	The output circuit voltage of the pressure sensor is high	<ol style="list-style-type: none"> <li>1. Reduce pressure</li> </ol>
ERR_12	The motor is protected when the equipment has no pressure	A protection mechanism when the motor is running continuously for one minute during return phase	<ol style="list-style-type: none"> <li>1. Switch power OFF and ON</li> </ol>
ERR_13	Chip ID error	Abnormality was detected after powering ON	<ol style="list-style-type: none"> <li>1. Replace circuit board</li> </ol>
ERR_14	Starter motor stall protection	The motor is blocked or not running	<ol style="list-style-type: none"> <li>1. Check that the UVW connection of the motor is intact</li> <li>2. Replace circuit board</li> <li>3. Replace electric motor</li> </ol>
ERR_15	Pressure sensor failure	Detected abnormal signal of pressure sensor	<ol style="list-style-type: none"> <li>1. Check that the pressure sensor is well connected</li> <li>2. Replace pressure sensor</li> <li>3. Replace circuit board</li> </ol>
ERR_16	Communication check code error	The chip indicated a checksum error during internal communication	<ol style="list-style-type: none"> <li>1. Replace circuit board</li> </ol>
ERR_17	Abnormal pressure feedback	The pressure estimated by the software differs from the actual pressure	<ol style="list-style-type: none"> <li>1. Check that the pressure sensor is well connected</li> <li>2. Replace pressure sensor</li> <li>3. Replace circuit board</li> </ol>
ERR_18	Communication failure	No communication signal is received in the chip	<ol style="list-style-type: none"> <li>1. Replace circuit board</li> </ol>

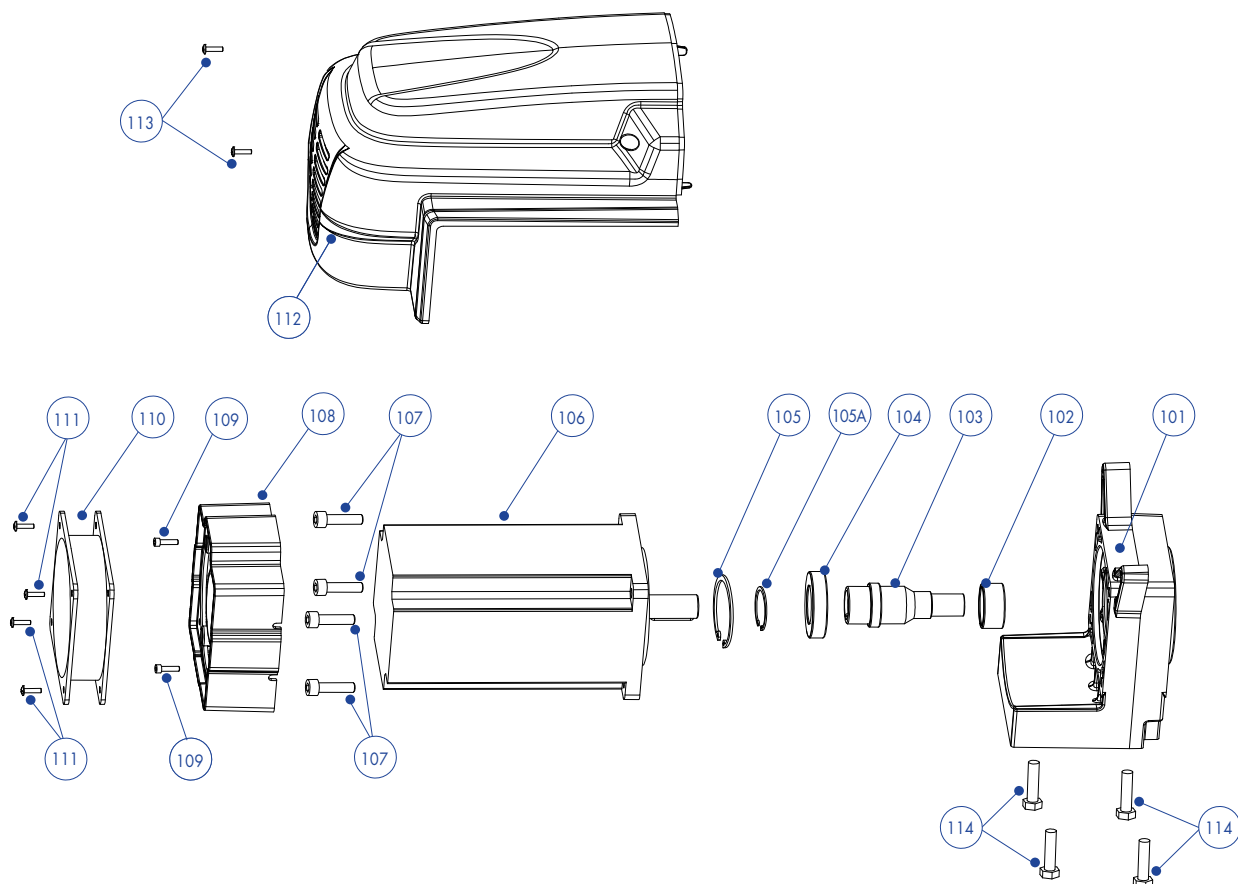
## 7. PARTS AND ASSEMBLY

Please read the following important information carefully.



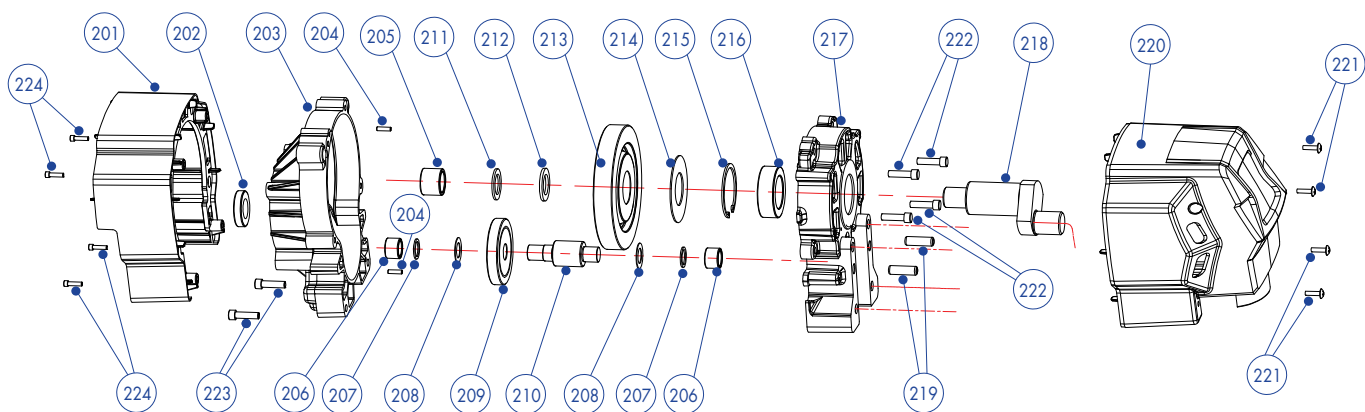
NO.	NAME	QUANTITY
1001	Trolley frame	1
1002	Handle holder	2
1003	Hexagon nut M18	2
1004	Pneumatic tyre	2

NO.	NAME	QUANTITY
1005	Screw M4 * 25 mm	2
1006	Hexagon nut M4	2
1007	Screw M5 * 5 mm	1



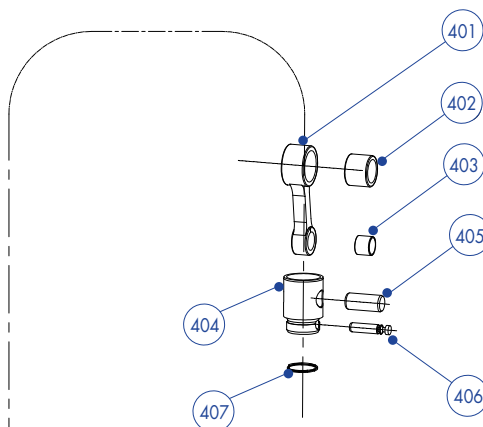
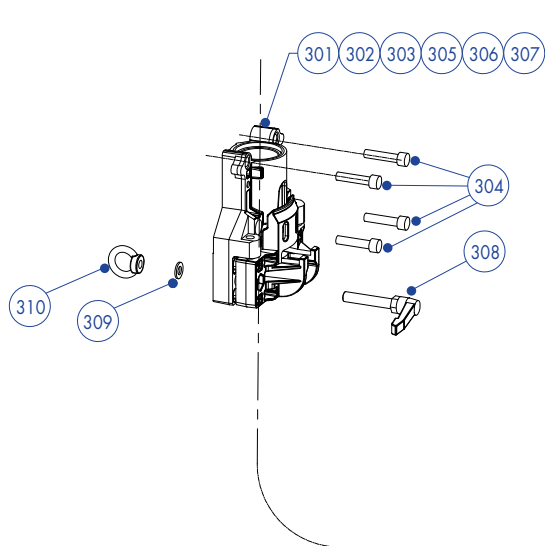
NO.	NAME	QUANTITY
101	Motor base	1
102	Roller bearing HF3520	1
103	Gear assembly	1
104	Ball bearing 6007	1
105	Circlip for hole ø62	1
105A	Circlip for hole ø35	1
106	Electric motor	1
107	Hexagon screw M8 * 20 mm	4

NO.	NAME	QUANTITY
108	Air shield	1
109	Hexagon screw	2
110	Axial fan	1
111	Screw ST4.8 * 16P * 15 mm	4
112	Rear cover	1
113	Cross-head screw	2
114	Hexagon machine screw M8 * 20 mm	4



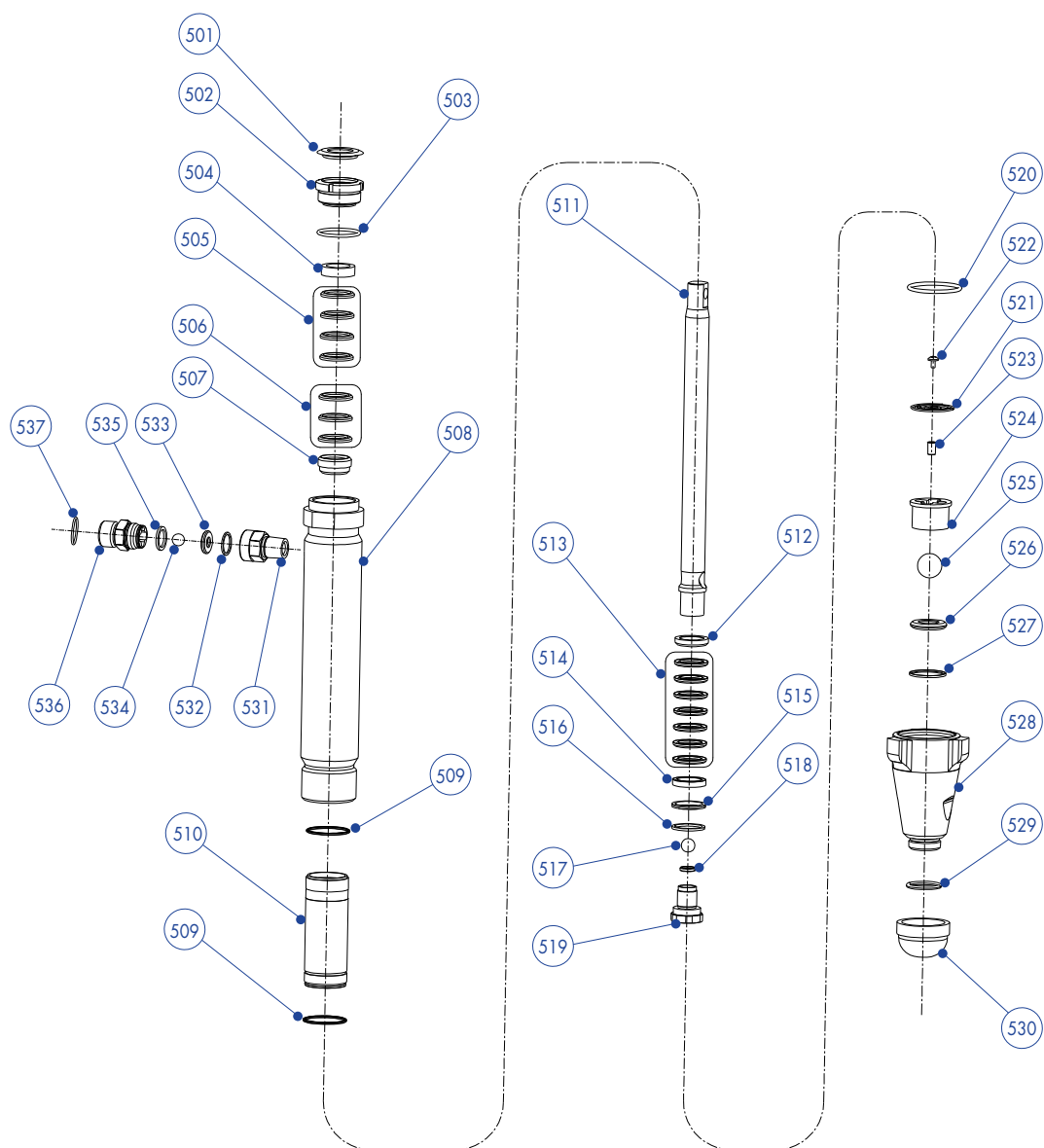
NO.	NAME	QUANTITY
201	Middle cover	1
202	Ball bearing	1
203	Gearbox primary cover	1
204	Cylindrical pin	2
205	Ball bearing SCH1616	1
206	Ball bearing SCH1212	1
207	Gasket $\phi 32 * \phi 19.05 * 1.6 T$	1
208	Gasket $\phi 32 * \phi 19 * 0.8 T$	1
209	Secondary gear disc	1
210	Secondary gear shaft	1
211	Gear washer $\phi 41 * \phi 25.7 * 3.2 T$	1
212	Gear washer $\phi 39 * \phi 25.7 * 2.4 T$	1

NO.	NAME	QUANTITY
213	Primary gear disc	1
214	Gasket $\phi 84 * \phi 41.3 * 1.6 T$	1
215	Circlip for hole $\phi 62$	1
216	Roller bearing F-45087-00	1
217	Gearbox secondary cover	1
218	Eccentric gear	1
219	Cylindrical pin $\phi 11.1 * 36 \text{ mm}$	2
220	Front cover	1
221	Screw M5 * 10 mm	4
222	Hexagon screw M8 * 35 mm	4
223	Hexagon screw M8 * 50 mm	2
224	Hexagon screw M8 * 1P * 30 mm	4



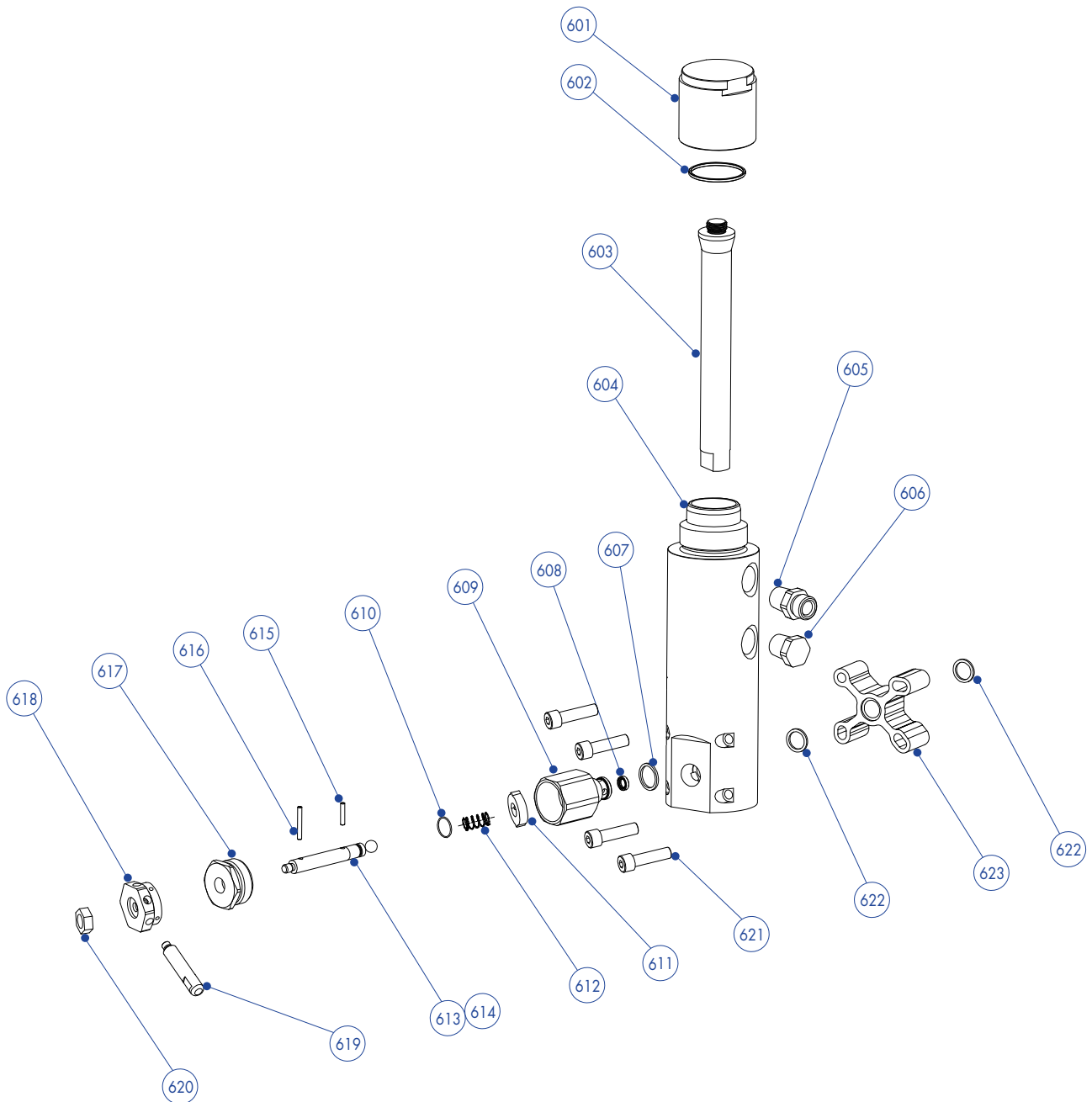
NO.	NAME	QUANTITY
301	Piston sleeve (OD) $\phi 57.2 * (\text{ID}) \phi 47 * 76 (\text{H})$	1
302	Piston mount	1
303	Piston screw M10	1
304	Screw	4
305	Piston rotary shaft sleeve (OD) $\phi 12.7 * (\text{ID}) \phi 9.5$	1
306	Piston rotary axis $\phi 9.525 * 76 \text{ mm}$	1
307	Piston hexagon screw BM10 * 80 8 60 mm	1
308	Shank screw BM10 * 80 8 60 mm	1
309	Double-sided washer M10	1
310	Nut M10 x SUS304	1

NO.	NAME	QUANTITY
401	Link rod	1
402	Needle roller bearing SCH1818	1
403	Self-lubricating bearing (OD) $\phi 23 * (\text{ID}) \phi 20 * 18.6 \text{ mm}$	1
404	Piston valve $\phi 47.6 * 67.5 \text{ mm}$	1
405	Piston rod connecting pin $\phi 20 * 38.1 \text{ mm}$	1
406	Piston rod pin $\phi 11.1 * 50 \text{ mm}$	1
407	Spring wire (OD) $\phi 1.5 * (\text{ID}) \phi 36.4$	1



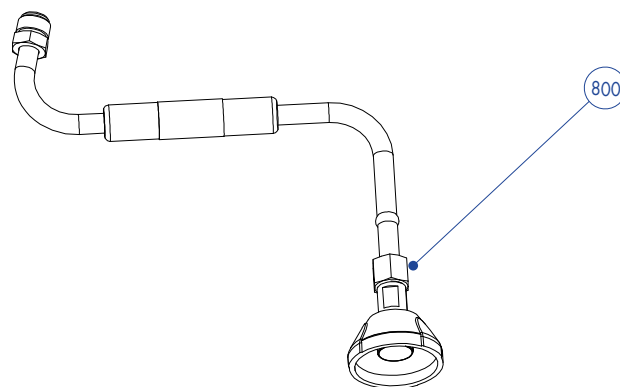
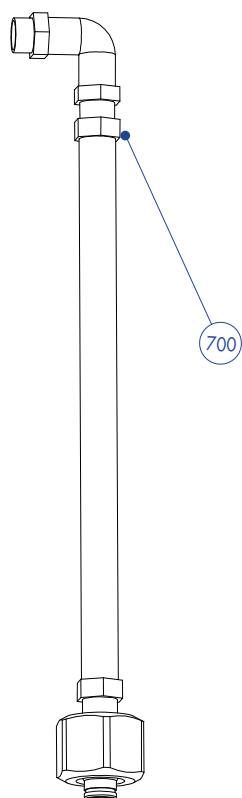
NO.	NAME	QUANTITY
501	Dust cover	1
502	Lock nut	1
503	O-ring (ID) Ø41.2 * Ø3.55	1
504	Upper pressure ring	1
505	V-ring	1
507	Upper supporting ring	1
508	Suction assembly	1
509	Sealing ring (ID) Ø41.4 * (OD) Ø44.5 * 1.9 T	1
510	Inner cylinder	1
511	Piston rod assembly	1
511	Piston rod	1
512	Lower supporting ring	1
513	V-ring	1
514	Lower pressure ring	1
515	Oil scraper	1
516	Copper ring	1
517	Ceramic ball Ø14.30	1
518	Piston valve seat	1
519	Seat retaining nut	1

NO.	NAME	QUANTITY
520	O-ring ID Ø50 * 3.55 mm	1
521	Coil spring	1
522	Philips flat head machine screw	1
523	Positioning rod	1
524	Suction guide	1
525	Ceramic ball Ø25.4	1
526	Suction valve seat	1
527	Valve seat seal ring (ID) Ø34.5 * (OD) Ø38.2 * 2 T	1
528	Inlet valve	1
529	O-ring	1
530	Suction filter	1
531	Connecting valve	1
532	Sealing ring (ID) Ø24 * (OD) Ø20 * 1.5 T	1
533	Single valve seat	1
534	Ceramic ball Ø12.7	1
535	Sealing ring (OD) Ø24.6 * (ID) Ø22.8 * 1.5 T	1
536	Single valve body	1
537	O-ring (ID) Ø23.6 * Ø3.55	1



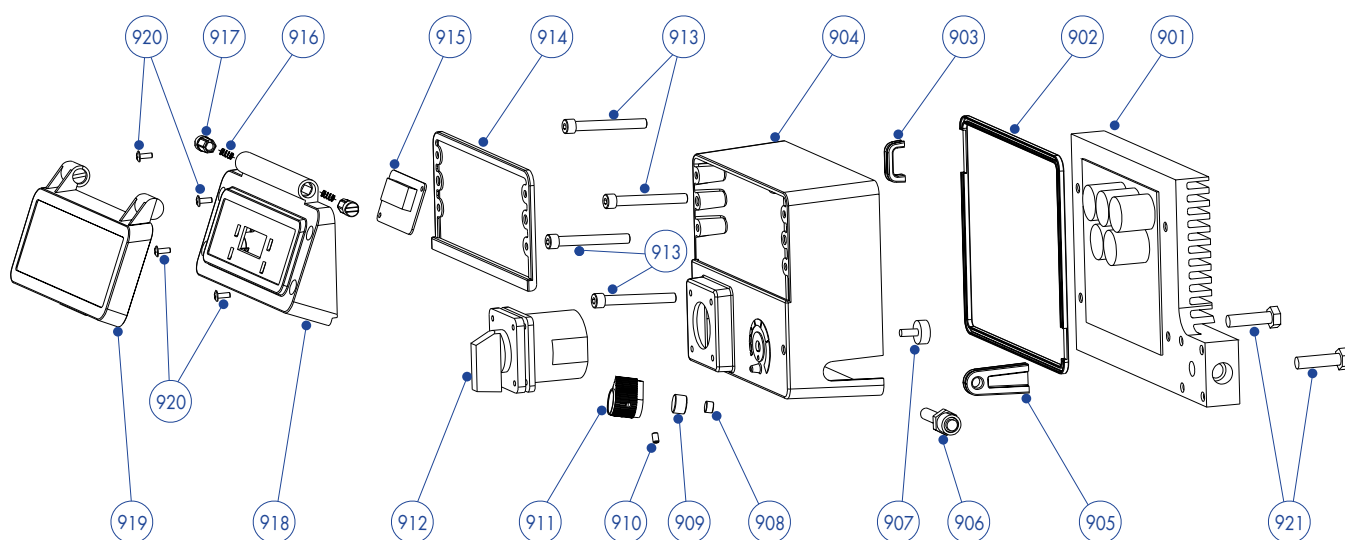
NO.	NAME	QUANTITY
601	Filter nut	1
602	Sealing ring (ID) Ø37.5 * (OD) Ø40.5 * 2 mm	1
603	Piston rod	1
604	Filter cylinder	1
605	Hose connecting valve (primary)	1
606	Hose connecting valve (secondary)	1
607	Return valve sealing ring (OD) Ø10.1 * (ID) Ø4 * 2.5 T	1
608	Return valve seat	1
609	Return valve assembly	1
610	O-ring (ID) Ø6 * Ø1.5	1
611	Return valve nut	1

NO.	NAME	QUANTITY
612	Return valve spring	1
613	Piston valve ball	1
614	Valve core	1
615	Cylindrical pin (primary)	1
616	Cylindrical pin (secondary)	1
617	Return valve wrench (primary)	1
618	Return valve wrench (secondary)	1
619	Return valve wrench rod	1
620	Hexagon nut	1
621	Hexagon screw M8 * 80 mm	4
622	Sealing ring (ID) Ø12.7 * (OD) Ø16.5 8 1.5 (H)	2
623	Filter holder	1



NO.	NAME	QUANTITY
700	High pressure connecting hose assembly	1

NO.	NAME	QUANTITY
800	Return hose	1



NO.	NAME	QUANTITY
901	Circuit board assembly	1
902	DESC-Control strip seal	1
903	DESC-Control outlet seal ring	1
904	DESC-Control secondary cover	1
905	DESC-Control sensor port seal	1
906	Pressure sensor	1
907	Pressure control knob (secondary)	1
908	Rubber gasket	1
909	Pressure control knob fixing rod	1
910	Hexagon screw	1
911	Pressure control knob (primary)	1

NO.	NAME	QUANTITY
912	ON/OFF switch	1
913	Hexagon screw M6 * 90 mm	4
914	DESC-Control panel strip seal	1
915	DESC-Control digital display	1
916	DESC-Control panel spring	2
917	DESC-Control panel regulating rod	2
918	DESC-Control primary panel	1
919	DESC-Control panel front cover	1
920	Screw M5 * 10 mm	2
921	Hexagon screw M8 * 20 mm	2

**SELLEYS®**

**IF IT'S SELLEYS IT WORKS™**

**A Trusted Australian Brand Since 1939**

Selleys is a subsidiary of  
**Nippon Paint (Singapore) Co. Pte Ltd**  
1 First Lok Yang Road, Jurong, Singapore 629728  
Tel: 6265 5355 (Main Line)  
[www.selleys.com.sg](http://www.selleys.com.sg)